

Construction Seating Range



KAB// Seating



Construction Seating

KAB Seating is a specialist manufacturer of vehicle seats suitable for the Construction, Mining and Material Handling sectors and related applications. We are pleased to showcase our latest products which add to our extensive range and offer a complete seating solution for the vehicle user.

KAB Seating work with a large range of OEMs to customise products for their specific environment and application. We benefit from a European wide network of distributors, who offer local advice to help find seats suitable for users' requirements, as well as helping with installation and seat servicing.

Our seats are rigorously tested to ensure compliance with international legislative standards. Our series of accessories including 2, 3 and 4 point seatbelt systems are packaged as a Modular Product Range which can be adapted for specific OEM requirements, giving the OEM and end user a wide range of choice. We continue to supply a choice of independent and integrated height adjustable seats, as well as seats which are specially adapted to allow fitment of joy stick controls.

The Sentinel range is now available in Mid Back and Low Back options and is the perfect fit for Small/Compact construction and Material Handling applications complying with EM6/7/8 & 9 and IT1&2.

Contact your nearest KAB representative for more details on any of our products.



Construction Seating

Sculpted comfort

Affordable

Tough

Easy to install

Modular

Reliable

Durable

Applications Key

 Site Dumpers

 Compact Wheel Loaders

 Backhoes

 Articulated/Rigid Dumptrucks

 Large excavators

 Mini excavators

 Bull Dozers

 Telescopic Handlers

 Underground Mining Machines

 Material Handling

SENTINEL Premium 95M



SENTINEL Base 91L



11/T1



11/K1



FEATURES

- Air 95 suspension
- Mid Back Upper
- Optional recoil seatbelt, headrest and armrests
- 80mm Suspension stroke
- 50-140kg weight range

FEATURES

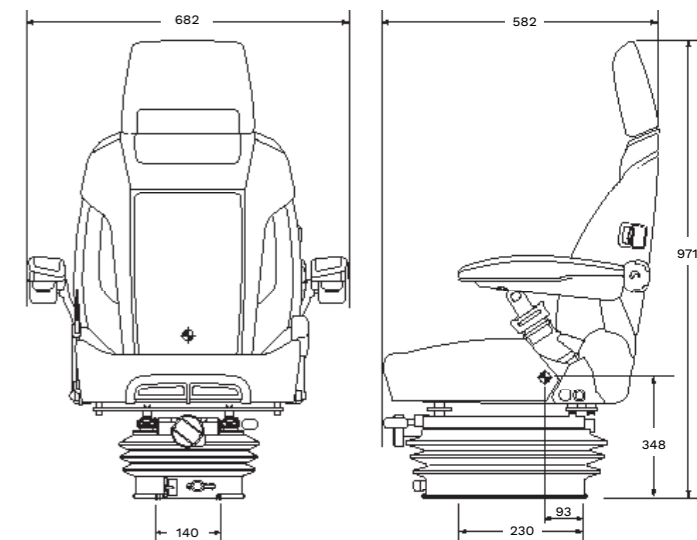
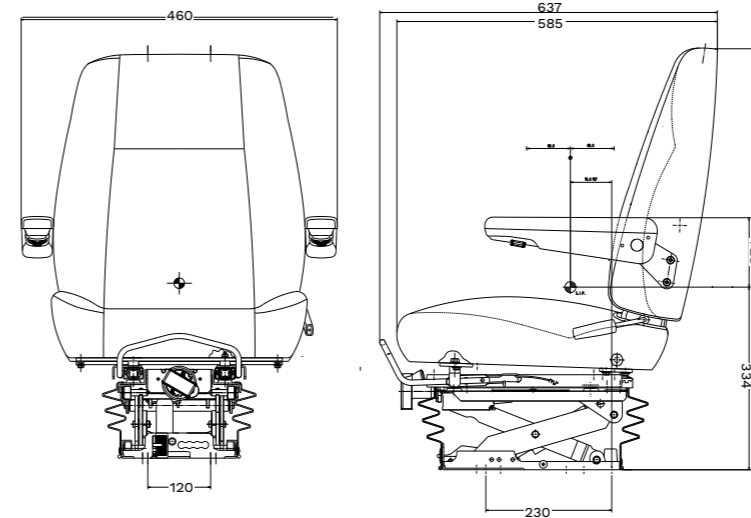
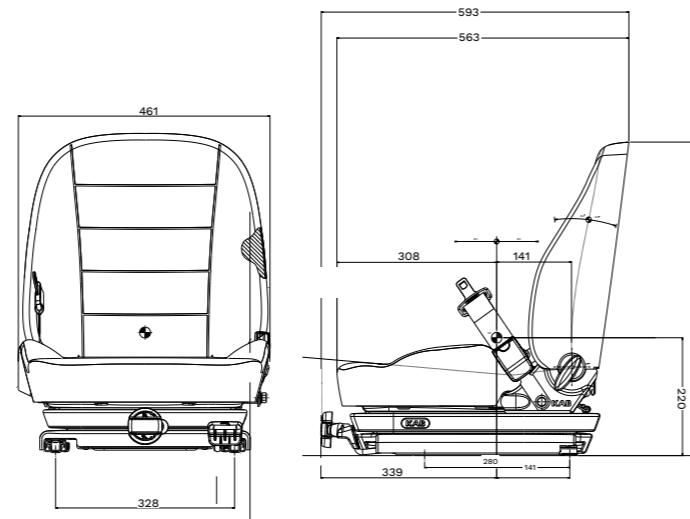
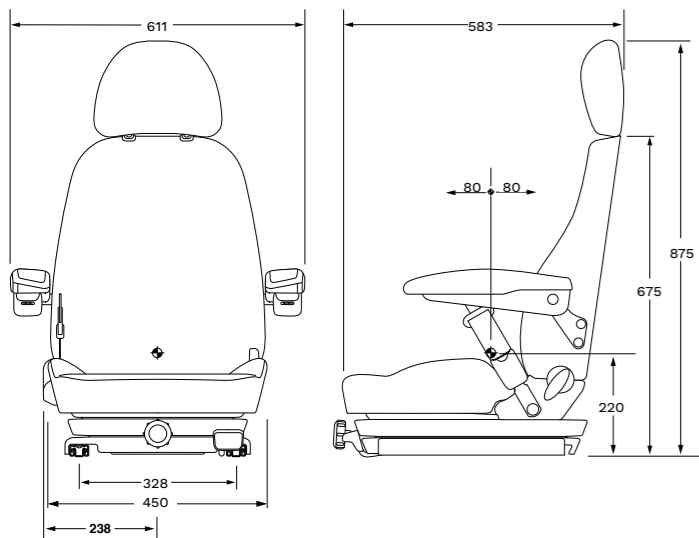
- Mechanical 91 suspension
- Low Back Upper
- Optional recoil seatbelt, headrest and armrests
- 80mm Suspension stroke
- 160mm fore/aft adjustment
- 50-120kg weight range

FEATURES

- Mechanical 11 suspension
- T1 Mid Back Upper
- Optional recoil lap belt to 15kN
- 150mm Suspension stroke
- 70mm integrated height adjustment
- 50-120kg weight range
- Optional 0-180° turntable for backhoes

FEATURES

- Mechanical 11 suspension
- K1 Mid Back Upper
- Optional recoil lap belt to 15kN
- 150mm Suspension stroke
- 70mm integrated height adjustment
- 50-120kg weight range

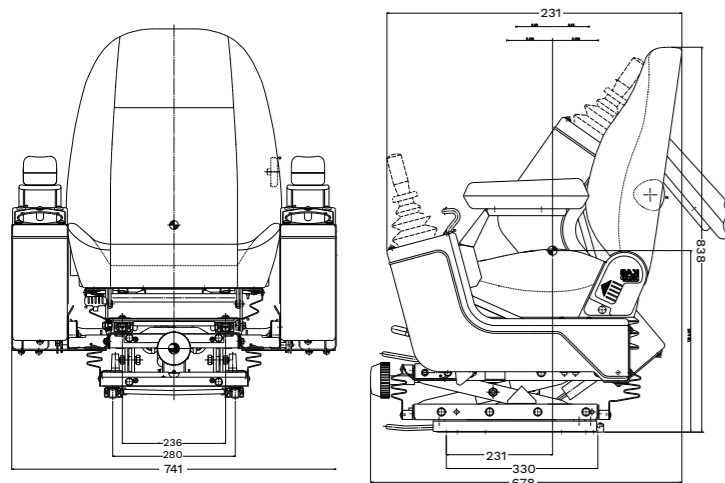


525P



FEATURES

- Mechanical 52 Suspension
- T5 Mid Back Upper
- Optional recoil lap belt to 15kN
- 100mm Suspension stroke
- Vertical 60mm independent height adjustment
- 50-120kg weight range
- Pods to take vehicle joystick controls

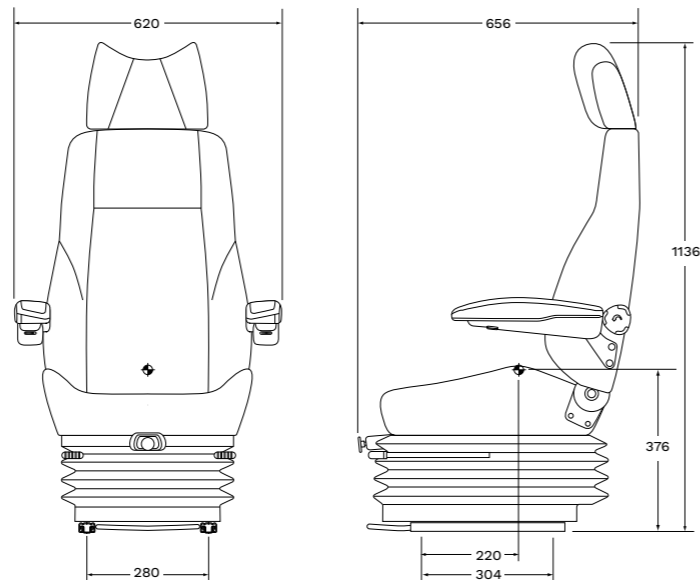


554



FEATURES

- Air 55 Suspension
- T4 High Back Upper
- Optional recoil lap belt to 15kN or 22.2kN with tethers
- 125mm Suspension stroke
- 60mm independent height adjustment
- 50-120kg weight range
- 12v or 24v compressor or manual valve

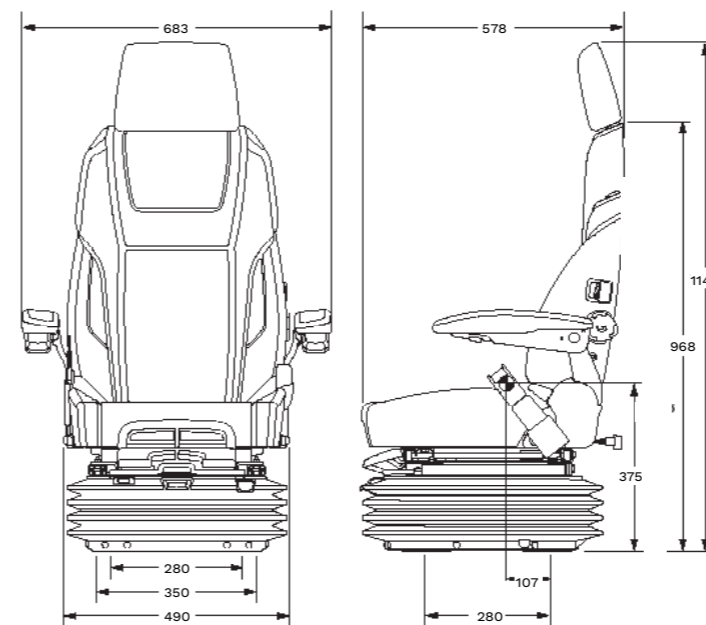


65/K4



FEATURES

- Air 65 low frequency suspension
- T4 High Back Upper
- Recoil lap belt to 15kN or 22.2kN
- 160mm Suspension stroke
- 60mm integral height adjustment
- 50-200kg weight range
- 12v or 24v integral compressor or manual valve

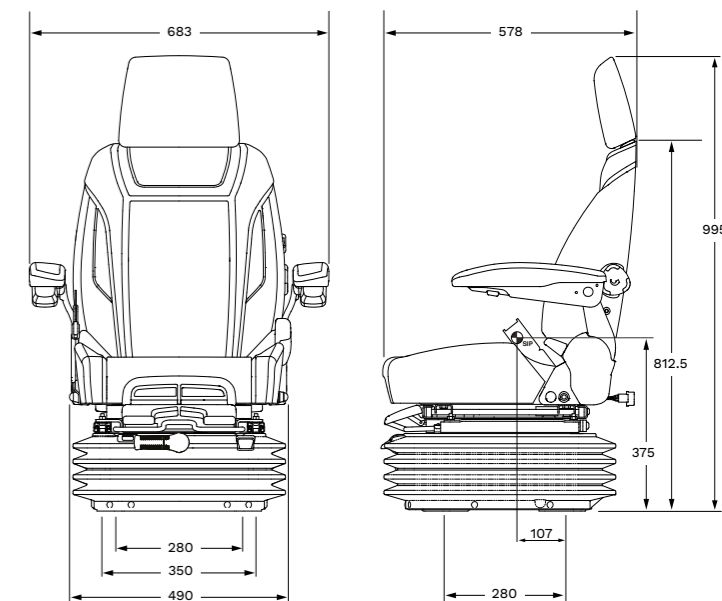


61/K1



FEATURES

- Mechanical 61 low frequency suspension
- K1 Mid Back Upper
- Recoil lap belt to 15kN or 22.2kN
- 160mm Suspension stroke
- 60mm integral height adjustment
- 50-175kg weight range



65/K4C



65/K4B



86/K4C



85/K1TT



FEATURES

- Air 65 low frequency suspension
- K4 High Back upper
- C-4 Point Harness belt (SAE J2292)
- 160mm Suspension stroke
- Vertical 60mm integral height adjustment
- 50-200kg weight range
- 12v or 24v integral compressor or manual valve

FEATURES

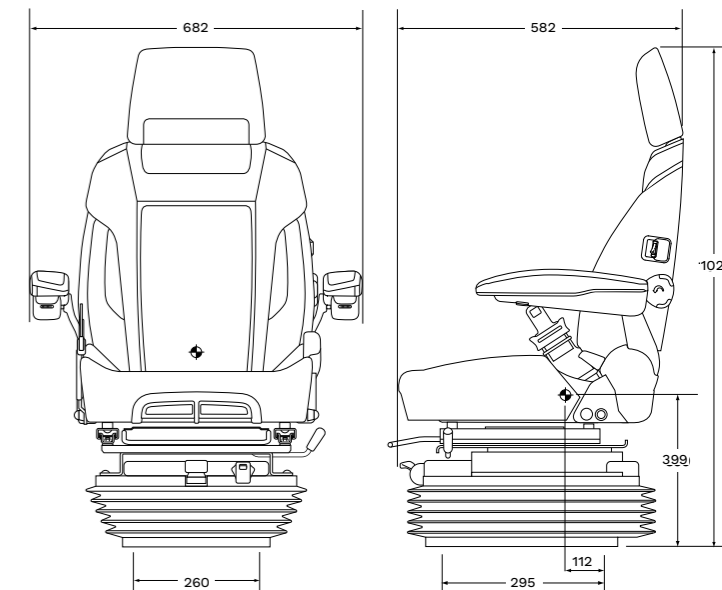
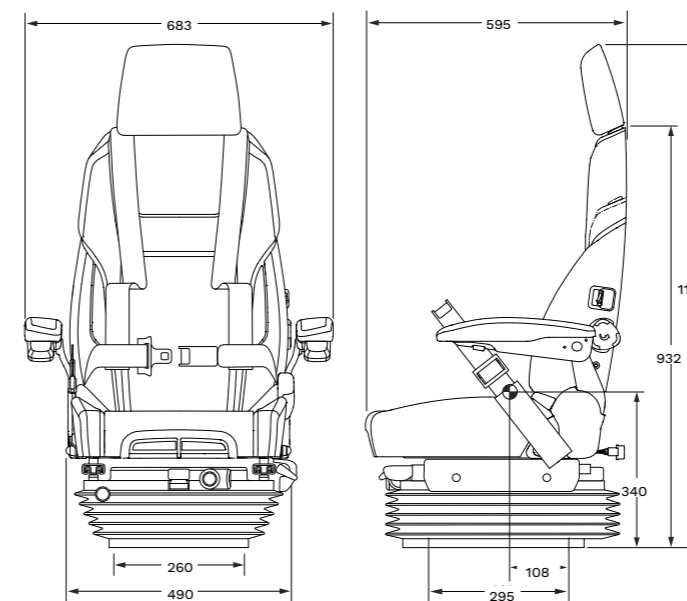
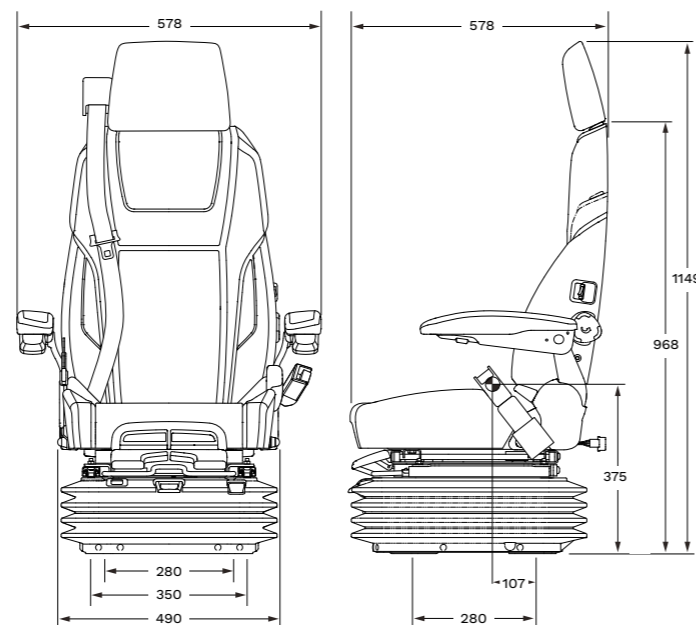
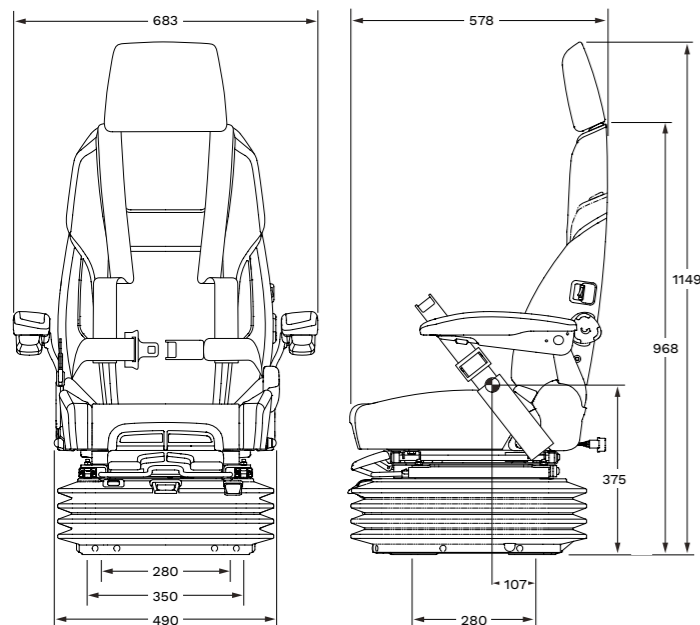
- Air 65 low frequency suspension
- K4 High Back upper
- B-3 Point belt (SAE J2292)
- 160mm Suspension stroke
- Vertical 60mm integral height adjustment
- 50-200kg weight range
- 24v integral compressor or manual valve

FEATURES

- Air 86 suspension
- K4 High Back upper
- C-4 Point Harness belt (SAE J2292)
- 175mm Suspension stroke
- Vertical 75mm integral height adjustment
- 50-150kg weight range
- 24v integral compressor or manual valve

FEATURES

- Air 85 suspension
- K1 Mid Back upper
- Optional recoil lap belt to 15kN
- 175mm Suspension
- Vertical 75mm integral height adjustment
- 50-120kg weight range
- 12v or 24v integral compressor or manual valve
- 0-180° turntable for backhoes



Accessories to build your KAB seat

Step 1
Seat



Step 2
Installation kit

Console Bracket



Floor Bracket



Electrical Interface



Step 3
Seat Installed



KAB//Seating

Health and Safety

It is important that drivers of work vehicles are fully protected from harmful vibrations. KAB seats can eliminate up to 70% of these. Careful seat selection is important and through consultation with KAB Seating's network of Authorised distributors the appropriate seat choice can be made to fit most popular brands.

Installation

Care should be taken to ensure a correct installation is made and the seat suspension movements and adjustments are free from obstructions in the cab area.

Maintenance

KAB Seating provides a full range of service parts to ensure seats can be maintained properly, key wear items such as shock absorbers, seat cushions and air valves should be replaced on a regular basis in accordance with the type of usage, amount of usage and environmental factors.

Regular removal of dust and dirt from the seat and cabin will improve the longevity of the seat.

KAB UK

Kab Seating Ltd - Northampton
T +44 (0) 1604 790500
E infouk@cvgrp.com
www.kabseating.com

CVG China

CVG Vehicle Components -
Shanghai
T +86 21 5958 5801
E infochina@cvgrp.com

KAB Sweden

Kab Seating AB - Stockholm
T +46 (0) 8 554 427 00
E infosweden@cvgrp.com

CVG National Seating USA


Vonore, Tennessee
T +1 800 354 9621
E infoamerica@cvgrp.com

KAB Belgium

ab Seating SA - Saintes
T +32 (0) 2 367 13 10
E infobelgium@cvgrp.com

www.kabseating.com

 @KABSeating

 KABSeatingUK

CVG World Headquarters

New Albany, Ohio, USA
Tel: (614) 289-5360
E info@cvgrp.com
www.cvgrp.com

KAB Australia

Kab Seating Pty. Ltd - Brisbane
T +61 (0) 7 3344 0500
E australia.brisbane@cvgrp.com

Distributor



KAB Seating is part of the Commercial Vehicle Group, a diverse global group of companies specialising in seating, wiper systems wire harnessing and electrical devices and trim.